

## Description

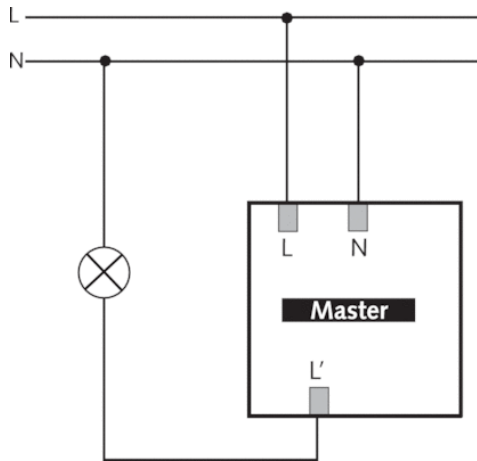


- Passive infra-red presence detector for ceiling installation
- Circular detection area 360°, up to Ø 9 m (64 m<sup>2</sup>)
- Automatic motion and brightness-dependent control for lighting
- Mixed light measurement suitable for fluorescent lamps (FL/PL/ESL), halogen/incandescent lamps and LEDs
- Channel A light: relay, 230 V
- Operation as fully automatic device
- Brightness switching value configurable, teach-in function
- Pulse function for staircase light time switch
- Time delay configurable
- Detection sensitivity configurable
- Test mode for checking function and detection area
- Ready for immediate use due to factory presetting (Brightness switching value 300 lux, Time delay 10 min.)
- One of these optional remote controls is required for changing the values and attitudes:
  - Management remote control SendoPro
  - Installation remote control theSenda P
  - Optional user remote control: theSenda S

## Technical data

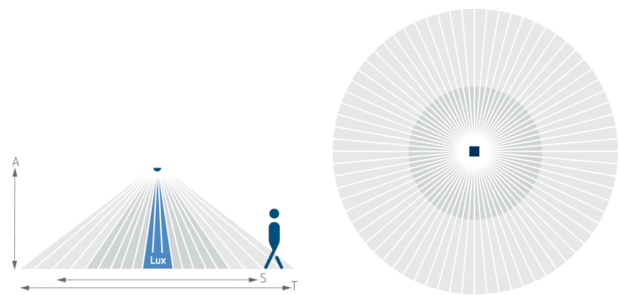
Operating voltage	230 V AC
Frequency	50 Hz
Installation height	2 – 4 m
Minimum height	> 1,7 m
Installation type	Surface mounted
Colour	White
Switching output	Light
Light measurement	Mixed light measurement
Setting range brightness	30 – 3000 lx
Light switch-off delay	10 s - 60 min
Lamps	Incandescent/halogen lamps, fluorescent lamps, Energy saving lamps, LEDs
Incandescent/halogen lamp load	2300 W
Inrush current	max. 400 A / 200 µs
LED lamp < 2 W	25 W
LED lamp 2-8 W	70 W
LED lamp > 8 W	80 W
Type of connection	Screw terminals
Max. cable cross section	max. 2 x 2,5 mm <sup>2</sup>
Size of concealed housing	Ø 55 mm (NIS, PMI)
Detection range	50 m <sup>2</sup> (Ø 8 m   360°)
Ambient temperature	-15 °C ... +50 °C
Type of protection	IP 54 (when fitted)

### Connection example

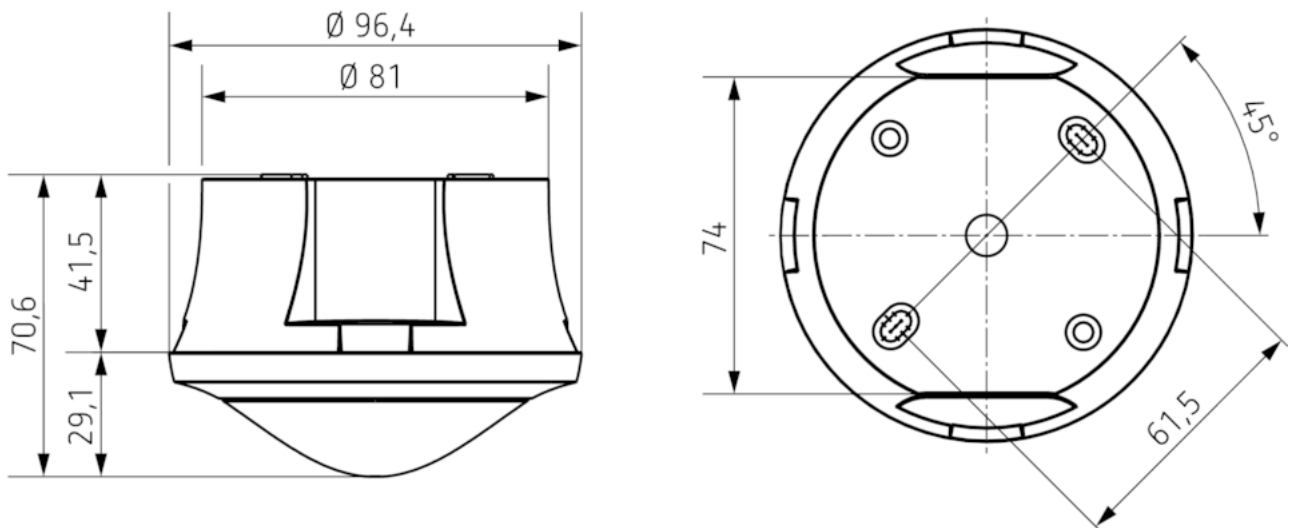


### Detection range

Mounting height (A)	Sitting (S)	Walking (T)
2 m	5 m <sup>2</sup>   2,5 m	38 m <sup>2</sup>   7 m
2,5 m	7 m <sup>2</sup>   3 m	38 m <sup>2</sup>   7 m
3 m	13 m <sup>2</sup>   4 m	50 m <sup>2</sup>   8 m
3,5 m	–	50 m <sup>2</sup>   8 m
4 m	–	64 m <sup>2</sup>   9 m



### Scale drawings



### Accessories

#### SendoPro 868-A

- Article number: 9070675  
Details ▶ [www.theben.de](http://www.theben.de)



#### theSenda P

- Article number: 9070910  
Details ▶ [www.theben.de](http://www.theben.de)



#### theSenda S

- Article number: 9070911  
Details ▶ [www.theben.de](http://www.theben.de)



Article number: 2080550

**Product selection**

Installation type	Channel	Operating voltage	Colour	Type	Article number
Surface mounted	Light	230 V AC	White	theRonda S360-100 AP WH	2080550
Surface mounted	Light	230 V AC	Grey	theRonda S360-100 AP GR	2080551