

Description

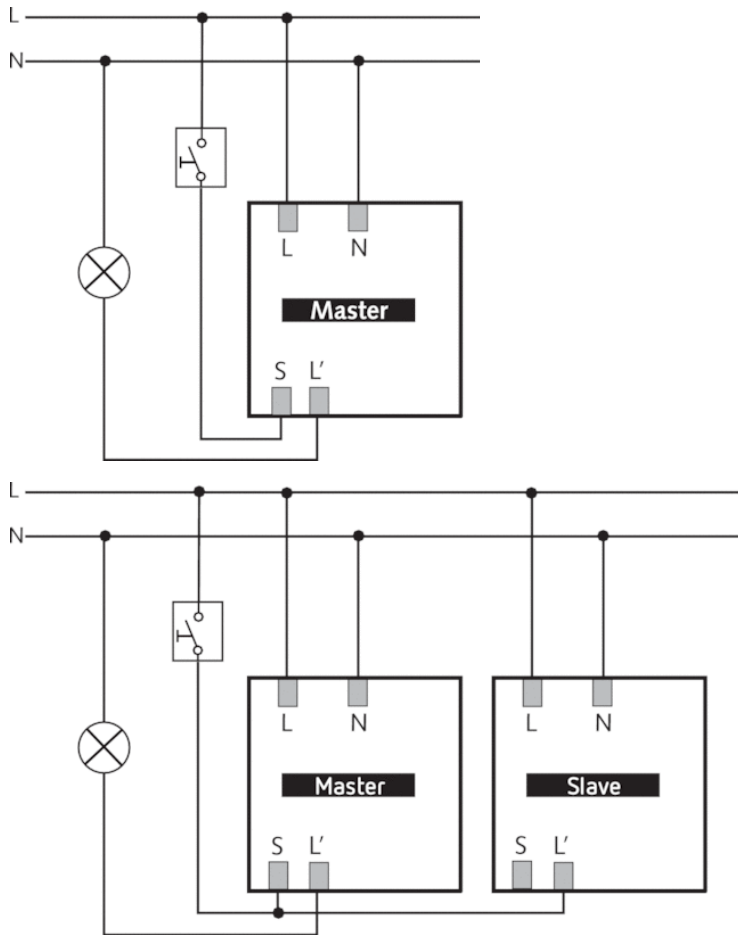


- Passive infra-red presence detector for ceiling installation
- Circular detection area 360°, up to Ø 8 m (50 m²)
- Automatic presence- and brightness-dependent control for lighting
- Mixed light measurement suitable for fluorescent lamps (FL/PL/ESL), halogen/incandescent lamps and LEDs
- Channel A light: relay, 230 V
- Choice of fully or semi-automatic operation
- Brightness switching value configurable, teach-in function
- Pulse function for staircase light time switch
- Time delay configurable
- Test mode for checking function and detection area
- Connection option for sensor for manual switching
- Extension of detection area via Master/Slave switching
- Ready for immediate use due to factory presetting
- Diameter of ceiling cutout 34–36 mm
- Remote controllable with optionally remote controls SendaPro, theSenda P and theSenda S

Technical data

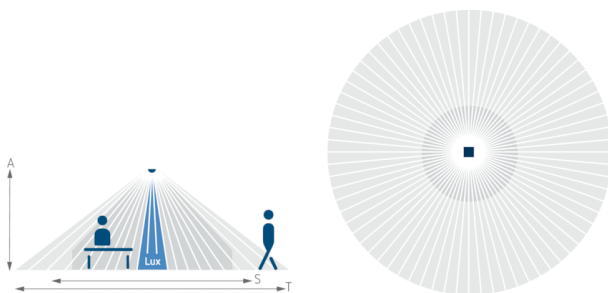
Operating voltage	110 – 240 V AC
Frequency	50 – 60 Hz
Installation height	2 – 4 m
Installation type	Ceiling installation
Colour	White
Switching output	Light
Power consumption	~0,4 W
Light measurement	Mixed light measurement
Setting range brightness	5 – 1000 lx
Light switch-off delay	30 s - 30 min
Lamps	Incandescent/halogen lamps, fluorescent lamps, Energy saving lamps, LEDs
Incandescent/halogen lamp load	2000 W
Fluorescent lamp load (conventional) not corrected	2000 VA
Fluorescent lamp load (conventional) parallel-corrected	1300 VA 140 µF
Fluorescent lamp load (conventional) series-corrected	2000 VA
Fluorescent lamp load (electronic ballast)	1200 W
LED lamp < 2 W	55 W
LED lamp 2-8 W	180 W
LED lamp > 8 W	200 W
Detection range	50 m ² (Ø 8 m 360°)
Ambient temperature	-20 °C ... +50 °C
Type of protection	IP 44 (Sensor), IP 20 (power module)

Connection example



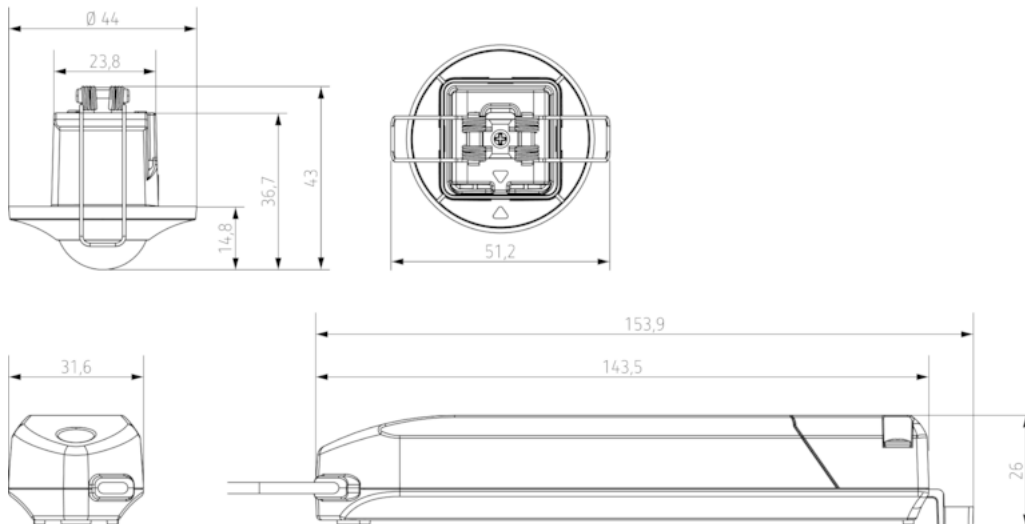
Detection range

Mounting height (A)	Sitting (S)	Diagonally (T)	Head on to (r)
2,5 m	3 m ² 2 m	50 m ² 8 m	3 m ² 2 m



Article number: 2090200

Scale drawings



Accessories

SendoPro 868-A

- Article number: 9070675
[Details ▶ www.theben.de](http://www.theben.de)



theSenda P

- Article number: 9070910
[Details ▶ www.theben.de](http://www.theben.de)



theSenda S

- Article number: 9070911
[Details ▶ www.theben.de](http://www.theben.de)



Product selection

Installation type	Channel	Operating voltage	Colour	Type	Article number
Ceiling installation	Light	110 – 240 V AC	White	thePiccola P360-100 DE WH	2090200