

## Description



- Passive infrared presence detector for ceiling mounting
- Round detection area 360°, up to Ø 24 m (452 m<sup>2</sup>)
- Automatic presence- and brightness-dependent control for lighting
- Mixed light measurement suitable for fluorescent lamps (FL/PL/ESL), halogen/incandescent lamps and LEDs
- Channel A, light: relay, 230V
- Choice of fully or semi-automatic operation
- Adjustable brightness switching value, teach-in function
- Reduction of switch-off delay time in the event of short presence (brief-presence)
- Connection option for sensors or switches for manual switching with automatic recognition of sensor/switch
- Pulse function for staircase light time switch
- Switch-on delay and switch-off delay configurable
- Sensitivity adjustable
- Detection area can be limited using cover clip
- Ready for immediate use due to factory preset
- Test mode for checking function and detection area
- Extension of detection area via Master/Slave or Master/Master switching, a maximum of 10 detectors can be switched in parallel with each other
- Ceiling installation in flush-mounted socket
- Ceiling installation also possible with surface-mounted frame
- User remote control theSenda S, management remote control SendoPro (optional)

## Technical data

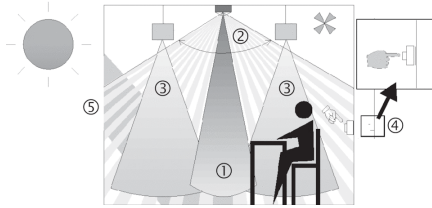
Operating voltage	110 – 230 V AC
Frequency	50 – 60 Hz
Installation height	2 – 10 m
Minimum height	> 1,7 m
Installation type	Ceiling installation
Colour	White
Switching output	Light
Power consumption	~0,15 W
Light measurement	Mixed light measurement
Setting range brightness	30 – 3000 lx
Light switch-off delay	10 s - 60 min
Lamps	Incandescent/halogen lamps, fluorescent lamps, Energy saving lamps, LEDs
Incandescent/halogen lamp load	2300 W
Compact and fluorescent lamps	1150 VA (cos φ = 0,5)
Inrush current	max. 800 A / 200 µs
LED lamp < 2 W	60 W
LED lamp 2-8 W	180 W
LED lamp > 8 W	200 W
Type of connection	Screw terminals
Max. cable cross section	max. 2 x 2,5 mm <sup>2</sup>
Size of concealed housing	Ø 55 mm (NIS, PMI)
Detection range	452 m <sup>2</sup> (Ø 24 m   360°)
Ambient temperature	-15 °C ... +50 °C

Article number: 2080020

Type of protection	IP 54 (when fitted)
--------------------	---------------------

## Description

---



- 1 Mixed light measurement
- 2 Presence detection
- 3 Artificial light
- 4 Push button for manual lighting control
- 5 Incident daylight

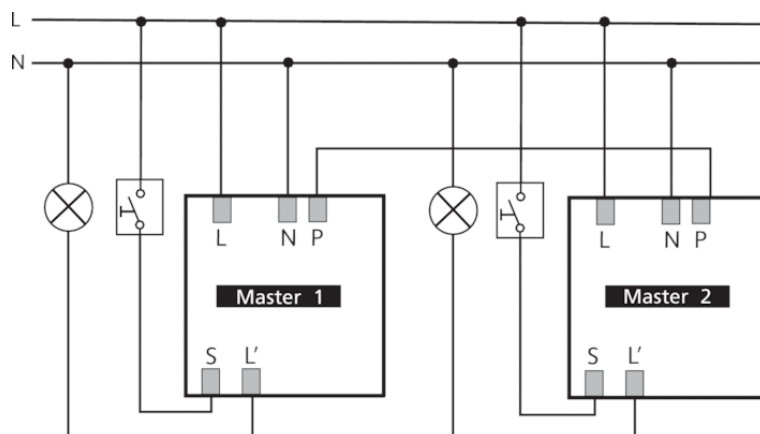
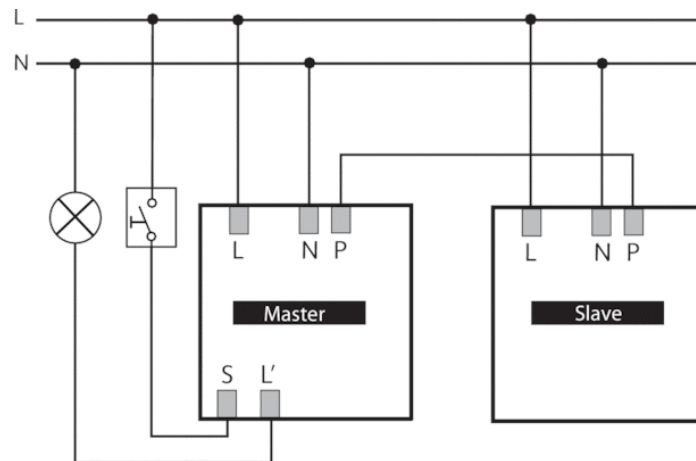
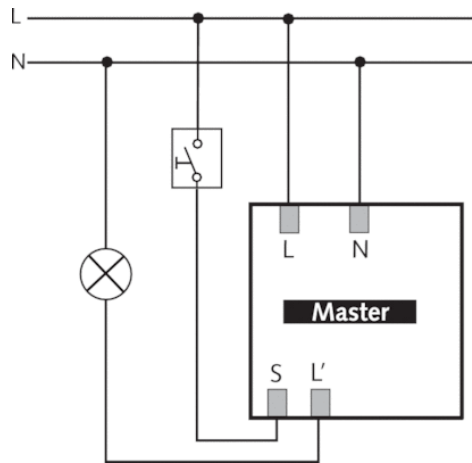
**Connection example**

*Switching*

The presence detectors can be operated as a master in individual switching. Several push buttons can be connected to one control input. Illuminated push buttons can only be used with neutral conductor connection.

*Single unit operation*

In individual switching, the presence detector as master detects presence and brightness and controls lighting.



### Detection range

The circular detection area of theRonda presence detector covers a large detection area and permits a good room coverage with many applications. Note that seated and moving persons can be detected in differently-sized areas. The recommended installation height is 2.0 m – 6.0 m. As installation height increases, the sensitivity of the presence detector decreases. Walking motions are necessary from installation heights of 3.5 m, and the detection areas of several detectors should overlap in the marginal zones. The detection range is reduced as the temperature increases.

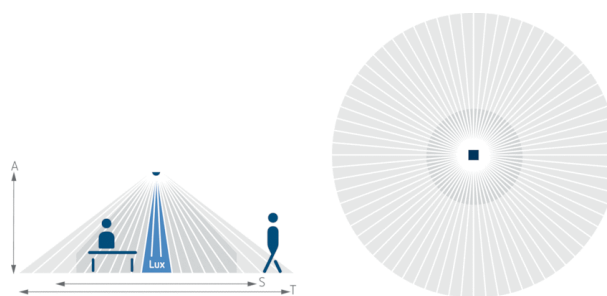
#### Seated persons

The details relate to smallest movements at table height (approx. 0.8 m).

#### Moving persons

At installation heights between 5 and 10 m, the extent and distance between the active and passive zones increase.

Mounting height (A)	Sitting (S)	Diagonally (T)
2 m	16 m <sup>2</sup>   4,5 m	380 m <sup>2</sup>   22 m
2,5 m	24 m <sup>2</sup>   5,5 m	415 m <sup>2</sup>   23 m
3 m	28 m <sup>2</sup>   6 m	452 m <sup>2</sup>   24 m
3,5 m	38 m <sup>2</sup>   7 m	452 m <sup>2</sup>   24 m
6 m	–	452 m <sup>2</sup>   24 m
10 m	–	491 m <sup>2</sup>   25 m

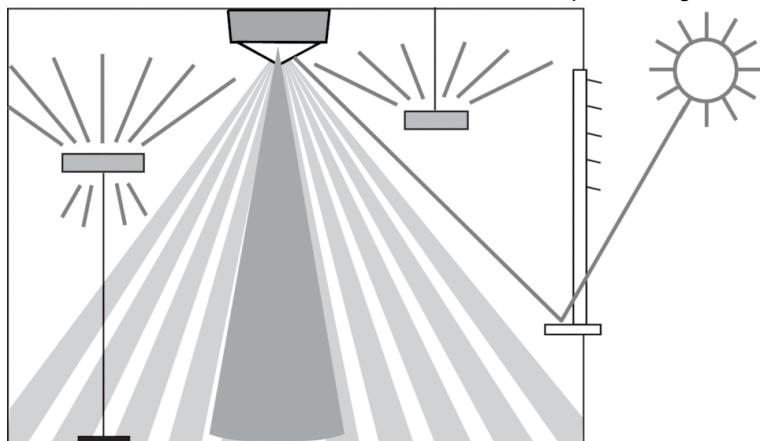


### Brightness Measurement

The presence detector measures artificial light and daylight that is reflected directly below the detector. The light measurement area maps a rectangle of about 2 x 3.5 m at table height. The installation location is a reference point for the lighting level. Direct light influences the light measurement. Avoid placing floor lamps or suspended lighting directly below the detector. If the brightness measurement is deactivated, the light channel only switches depending on the presence (brightness switching value set to „lux on“ via potentiometer or set to „measurement off“ via the remote control).

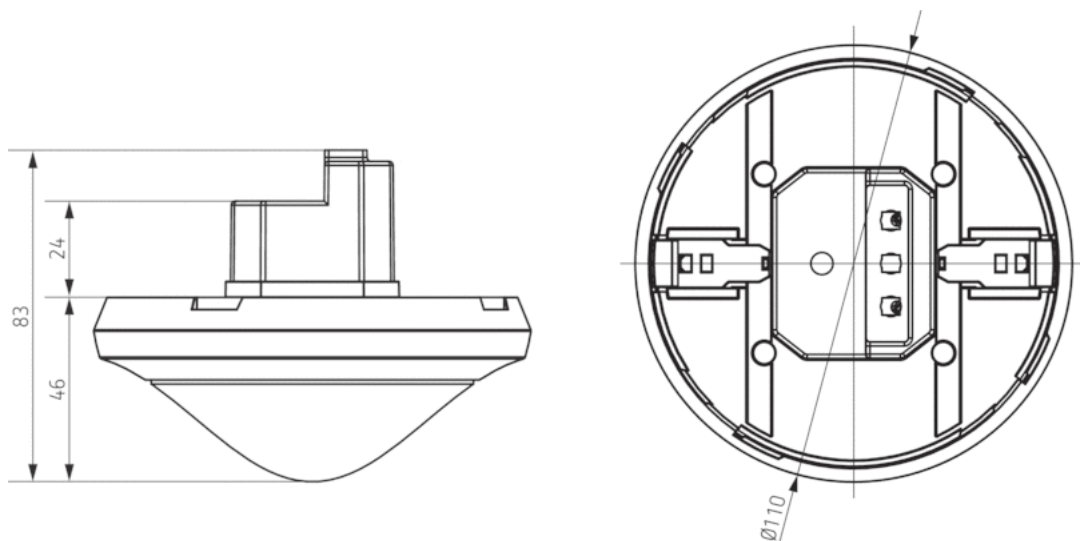
#### Suitable lamps

The presence detector is designed for the operation of fluorescent lamps, compact fluorescent lamps, halogen/incandescent lamps and LEDs. The maximum number of switchable lights is restricted due to the high inrush current levels of the EBs and LED drivers. The use of an external contactor helps with large loads. All switched loads must be properly suppressed.



Article number: 2080020

## Scale drawings



## Accessories

### Surface frame 110A WH

- Article number: 9070912  
Details ▶ [www.theben.de](http://www.theben.de)



### SendoPro 868-A

- Article number: 9070675  
Details ▶ [www.theben.de](http://www.theben.de)



### theSenda P

- Article number: 9070910  
Details ▶ [www.theben.de](http://www.theben.de)



### theSenda S

- Article number: 9070911  
Details ▶ [www.theben.de](http://www.theben.de)



### Ceiling installation box 73A

- Article number: 9070917  
Details ▶ [www.theben.de](http://www.theben.de)



### Masking clip

- Article number: 9070921  
Details ▶ [www.theben.de](http://www.theben.de)



### QuickSafe

- Article number: 9070531  
Details ▶ [www.theben.de](http://www.theben.de)



## Product selection

Installation type	Channel	Operating voltage	Colour	Type	Article number
Ceiling installation	Light	110 – 230 V AC	White	theRonda P360-100 M UP WH	2080020
Ceiling installation	Light	110 – 230 V AC	Grey	theRonda P360-100 M UP GR	2080021

## Installation type

UP



### Flush-mounted installation

The flush-mount installation of the detector is done using a standard UP (flush-mount) installation socket Size 1.

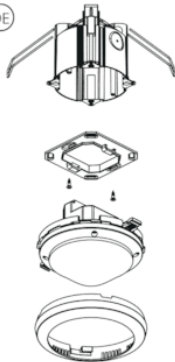
### Ceiling installation

A ceiling installation unit is available for a simplified ceiling installation of the detector (see accessories). This ensures strain relief and contact protection at the same time. The installation diameter is 72 mm (drill diameter 73 mm).

### Surface-mount installation

A suitable surface-mount frame is available for surface installation (see accessories).

DE



AP

