

Description

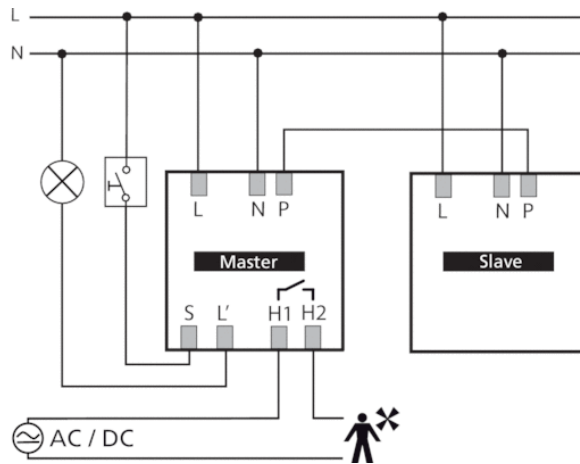


- Passive infrared presence detector for ceiling mounting
- Round detection area 360°, up to Ø 24 m (452 m²)
- Test mode for checking function and detection area
- Extension of detection area via Master/Slave or Master/Master switching, a maximum of 10 detectors can be switched in parallel with each other
- Ceiling installation in flush-mounted socket
- Ceiling installation also possible with surface-mounted frame
- User remote control theSenda S, management remote control SendoPro (optional)

Technical data

Operating voltage	110 – 230 V AC
Frequency	50 – 60 Hz
Installation height	2 – 10 m
Minimum height	> 1,7 m
Installation type	Ceiling installation
Colour	White
Switching output	Light
Power consumption	~0,15 W
Light measurement	Mixed light measurement
Lamps	Incandescent/halogen lamps, fluorescent lamps, Energy saving lamps, LEDs
Type of connection	Screw terminals
Max. cable cross section	max. 2 x 2,5 mm ²
Size of concealed housing	Ø 55 mm (NIS, PMI)
Detection range	452 m ² (Ø 24 m 360°)
Ambient temperature	-15 °C ... +50 °C
Type of protection	IP 54 (when fitted)

Connection example



Detection range

The circular detection area of theRonda presence detector covers a large detection area and permits a good room coverage with many applications. Note that seated and moving persons can be detected in differently-sized areas. The recommended installation height is 2.0 m – 6.0 m. As installation height increases, the sensitivity of the presence detector decreases. Walking motions are necessary from installation heights of 3.5 m, and the detection areas of several detectors should overlap in the marginal zones. The detection range is reduced as the temperature increases.

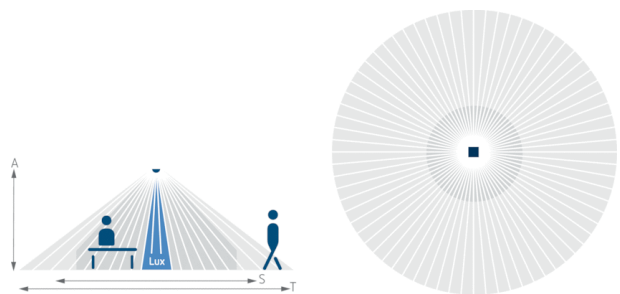
Seated persons

The details relate to smallest movements at table height (approx. 0.8 m).

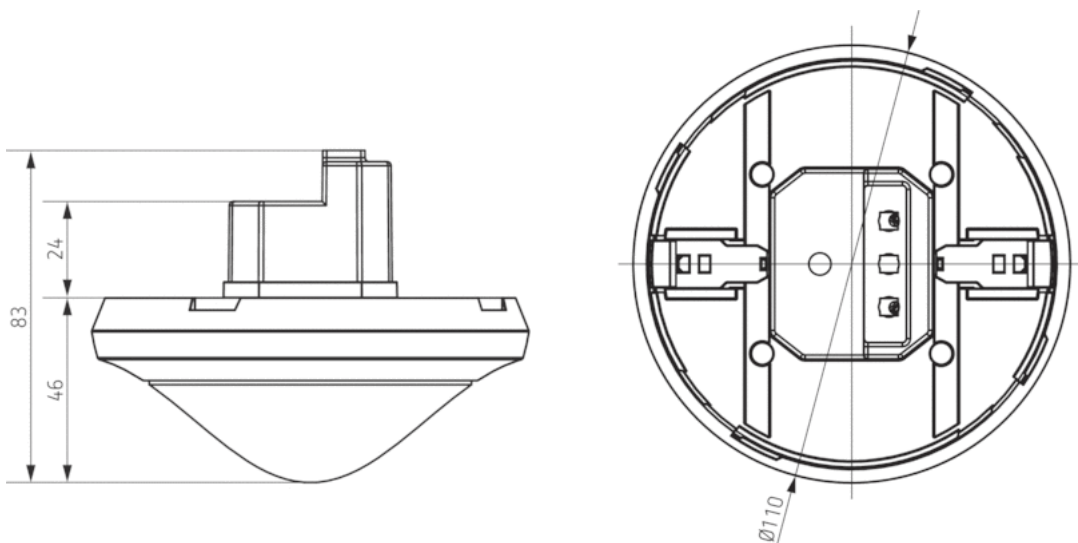
Moving persons

At installation heights between 5 and 10 m, the extent and distance between the active and passive zones increase.

Mounting height (A)	Sitting (S)	Diagonally (T)
2 m	16 m ² 4,5 m	380 m ² 22 m
2,5 m	24 m ² 5,5 m	415 m ² 23 m
3 m	28 m ² 6 m	452 m ² 24 m
3,5 m	38 m ² 7 m	452 m ² 24 m
6 m	–	452 m ² 24 m
10 m	–	491 m ² 25 m



Scale drawings



Accessories

Surface frame 110A WH

- Article number: 9070912
[Details ▶ www.theben.de](http://www.theben.de)



SendoPro 868-A

- Article number: 9070675
[Details ▶ www.theben.de](http://www.theben.de)



theSenda P

- Article number: 9070910
[Details ▶ www.theben.de](http://www.theben.de)



Ceiling installation box 73A

- Article number: 9070917
[Details ▶ www.theben.de](http://www.theben.de)



Masking clip

- Article number: 9070921
[Details ▶ www.theben.de](http://www.theben.de)



QuickSafe

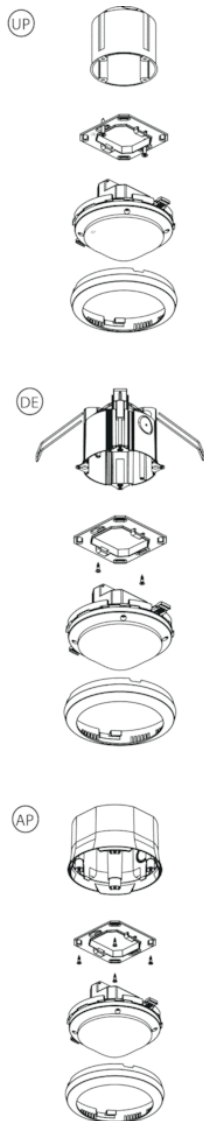
- Article number: 9070531
[Details ▶ www.theben.de](http://www.theben.de)



Product selection

Installation type	Channel	Operating voltage	Colour	Type	Article number
Ceiling installation	Light	110 – 230 V AC	White	theRonda P360 Slave UP WH	2080030
Ceiling installation	Light	110 – 230 V AC	Grey	theRonda P360 Slave UP GR	2080031

Installation type



Flush-mounted installation

The flush-mount installation of the detector is done using a standard UP (flush-mount) installation socket Size 1.

Ceiling installation

A ceiling installation unit is available for a simplified ceiling installation of the detector (see accessories). This ensures strain relief and contact protection at the same time. The installation diameter is 72 mm (drill diameter 73 mm).

Surface-mount installation

A suitable surface-mount frame is available for surface installation (see accessories).