

## Description



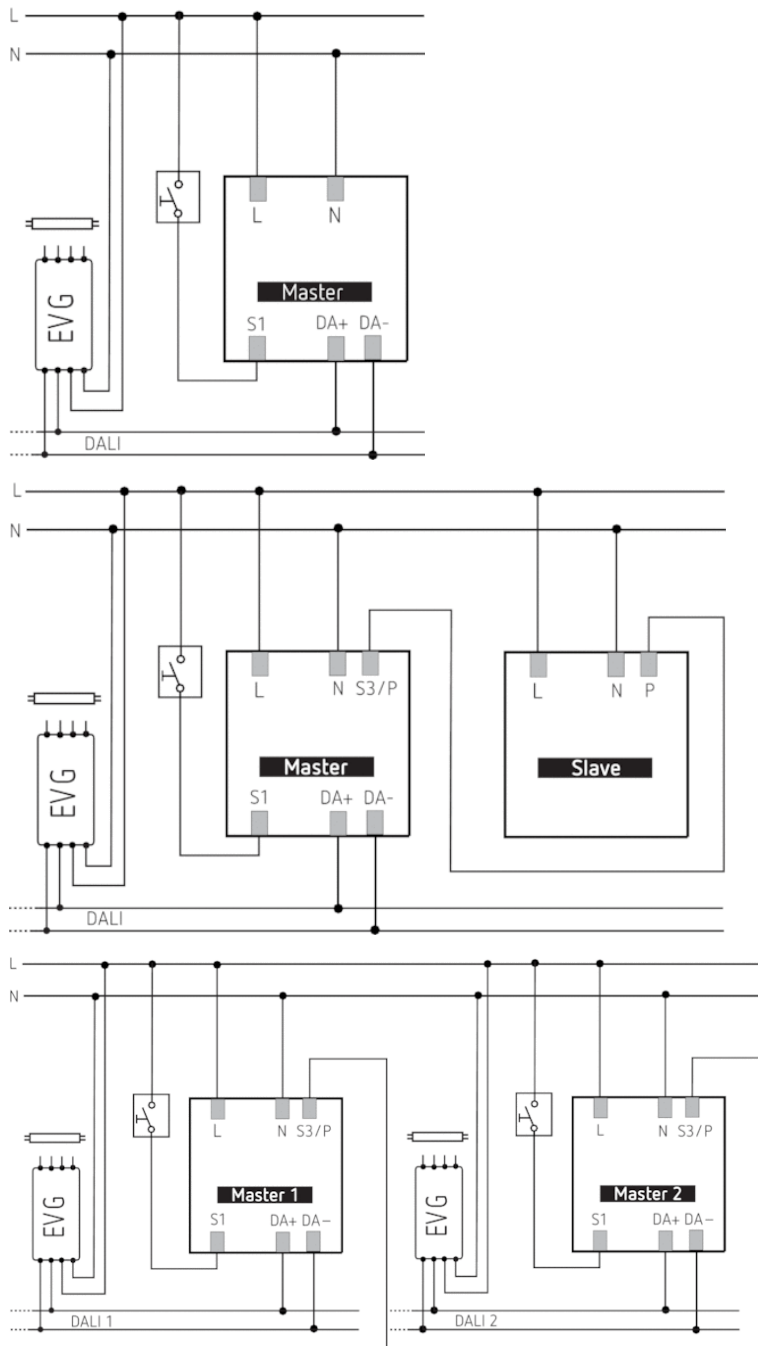
- Passive infrared presence detector for ceiling mounting
- Round detection area 360°, up to Ø 8 m
- 1 light channel DALI broadcast
- 1 push-button input
- Using of conventional push-buttons for maximum design freedom
- Switch or constant light control mode with stand-by function
- Dimmable lighting in switch mode with stand-by function
- Choice of fully or semi-automatic operation
- Adjustable brightness switching value
- Teach-in function via remote control or push-button
- Setting of room correction factor (Automatic adjustment of brightness measurement)
- Light time delay can be set
- Calibrated 1 channel light measurement
- Brief-presence
- Self-learning time delay
- Extremely easy setting of energy saving characteristics with the new „eco plus“ function
- Selectable control speed
- Manual override via remote control or pushbutton
- Behavior after push button operation selectable (school / office)
- Test mode light
- Test-Mode presence
- Remote-controllable
- Scenes
- Sensitivity adjustable
- Detection area can be limited using cover clip
- Extension of detection area via Master/Slave or Master/Master switching
- Optimized handling by installer during assembly, wiring, commissioning

## Technical data

Operating voltage	110 – 230 V AC
Frequency	50 – 60 Hz
Installation height	2 – 4 m
Minimum height	> 1,7 m
Installation type	Ceiling installation
Colour	White
Switching output	DALI
Power consumption	<0,4 W
Light measurement	Mixed light measurement
Setting range brightness	10 – 3000 lx
Light switch-off delay	10 s - 60 min
Stand-by time light	0 s – 60 min / on
Stand-by brightness	1 – 25 %
Lamps	Incandescent/halogen lamps, fluorescent lamps, Energy saving lamps, LEDs
Control output	100 mA
Output light	DALI-interface according to IEC SN EN 62 386 for max. 50 DALI devices
Max. cable cross section	max. 2 x 2,5 mm <sup>2</sup>
Size of concealed housing	Ø 55 mm (NIS, PMI)
Detection range	50 m <sup>2</sup> (Ø 8 m   360°)
Ambient temperature	-15 °C ... +50 °C

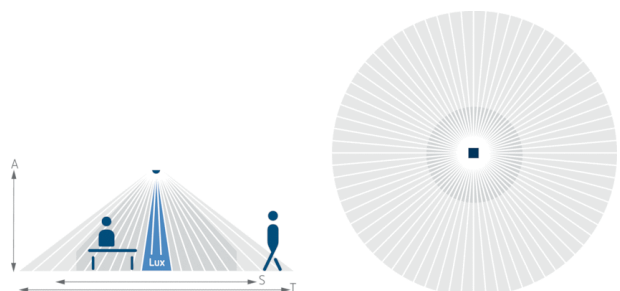
Type of protection	IP 54 (when fitted)
--------------------	---------------------

**Connection example**



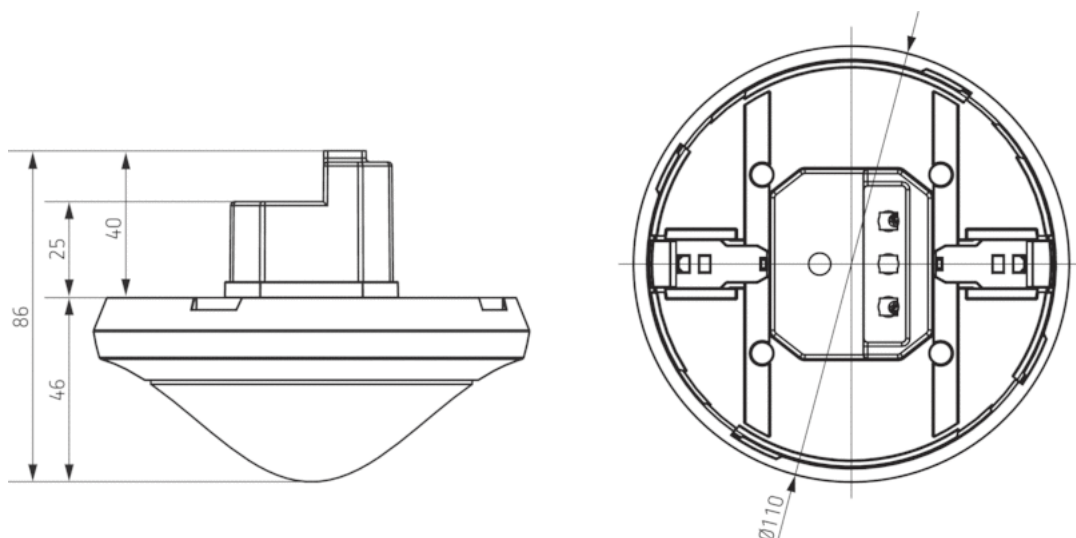
**Detection range**

Mounting height (A)	Sitting (S)	Diagonally (T)
2 m	5 m <sup>2</sup>   2,5 m	38 m <sup>2</sup>   7 m
2,5 m	7 m <sup>2</sup>   3 m	38 m <sup>2</sup>   7 m
3 m	13 m <sup>2</sup>   4 m	50 m <sup>2</sup>   8 m
3,5 m	–	50 m <sup>2</sup>   8 m
4 m	–	64 m <sup>2</sup>   9 m
–	–	–



Article number: 2080580

## Scale drawings



## Accessories

### Surface frame 110A WH

- Article number: 9070912  
[Details ▶ www.theben.de](http://www.theben.de)



### SendoPro 868-A

- Article number: 9070675  
[Details ▶ www.theben.de](http://www.theben.de)



### theSenda P

- Article number: 9070910  
[Details ▶ www.theben.de](http://www.theben.de)



### theSenda S

- Article number: 9070911  
[Details ▶ www.theben.de](http://www.theben.de)



### Ceiling installation box 73A

- Article number: 9070917  
[Details ▶ www.theben.de](http://www.theben.de)



### Masking clip

- Article number: 9070921  
[Details ▶ www.theben.de](http://www.theben.de)



### QuickSafe

- Article number: 9070531  
[Details ▶ www.theben.de](http://www.theben.de)



## Product selection

Installation type	Channel	Operating voltage	Colour	Type	Article number
Ceiling installation	DALI	110 – 230 V AC	White	theRonda S360-110 DALI UP WH	2080580
Ceiling installation	DALI	110 – 230 V AC	Grey	theRonda S360-110 DALI UP GR	2080581